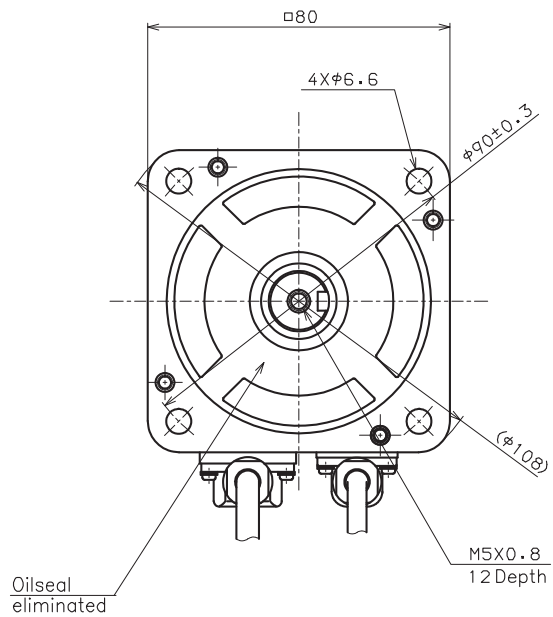
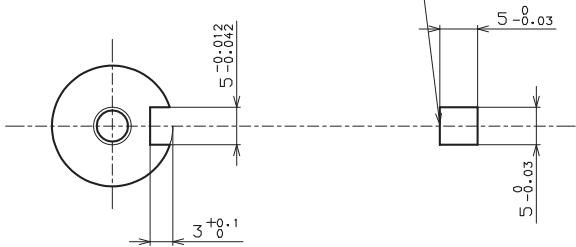


Model	R2AA08040FXPWJ*
Part No.	410627-129*



Key (5x5x20L)
Accessory



A - A (2 : 1)

