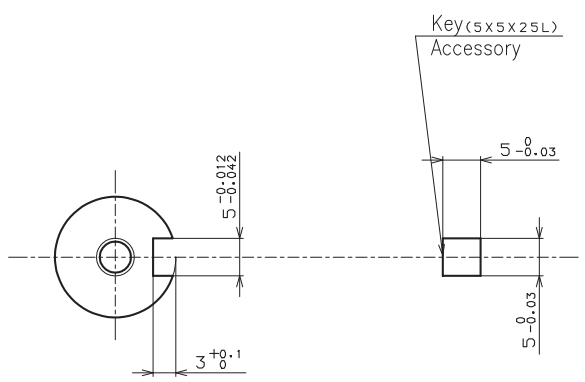
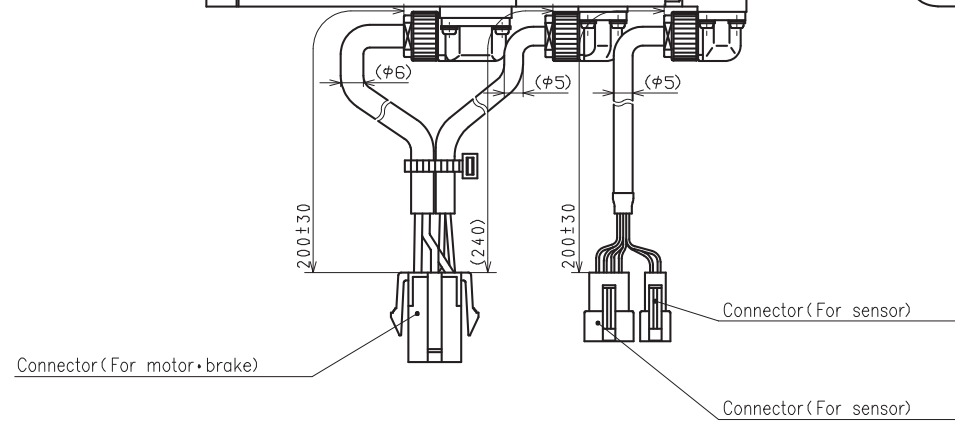
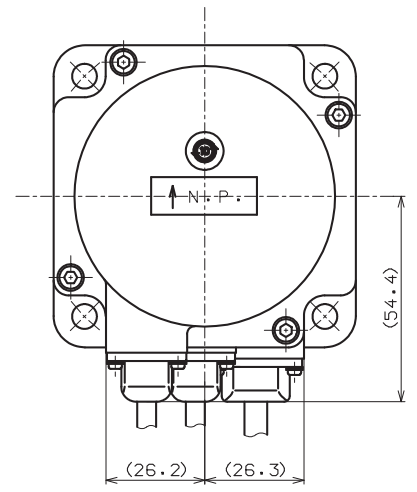
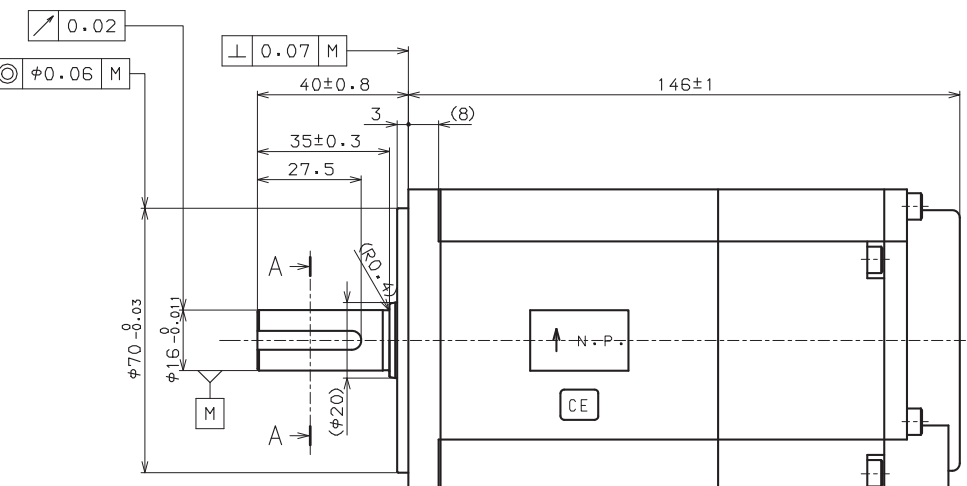
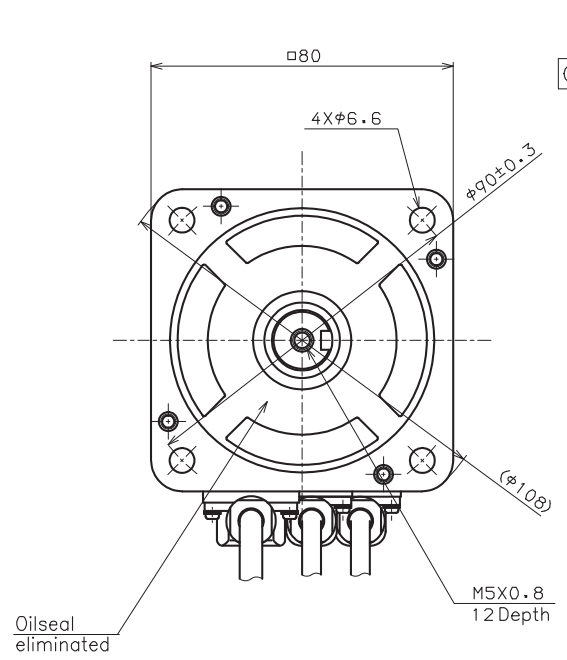


Model	R2AA08075FCPWJ*
Part No.	410627-132*



A - A (2 : 1)

