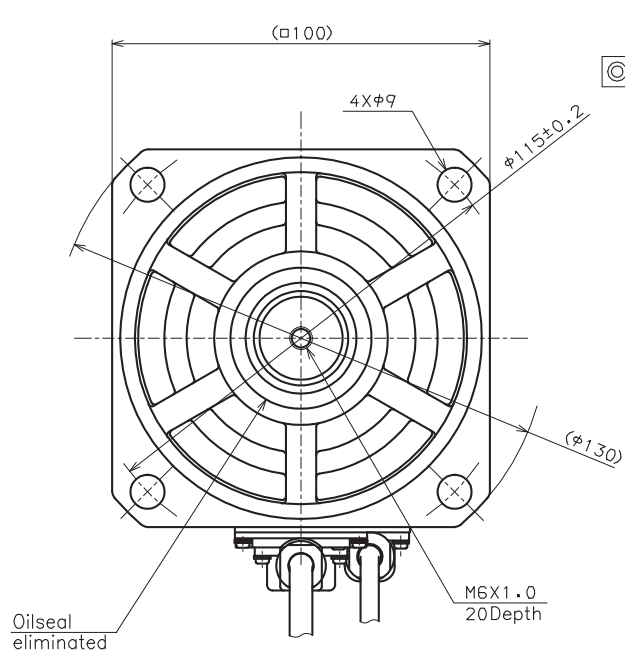


Model	R2AA10075FXPWJ*
Part No.	410627-133*



Surface texture:  $\sqrt{0.02}$   
 Hole tolerance:  $\phi 0.08$  M

