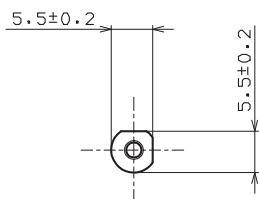
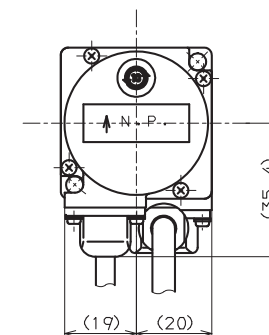
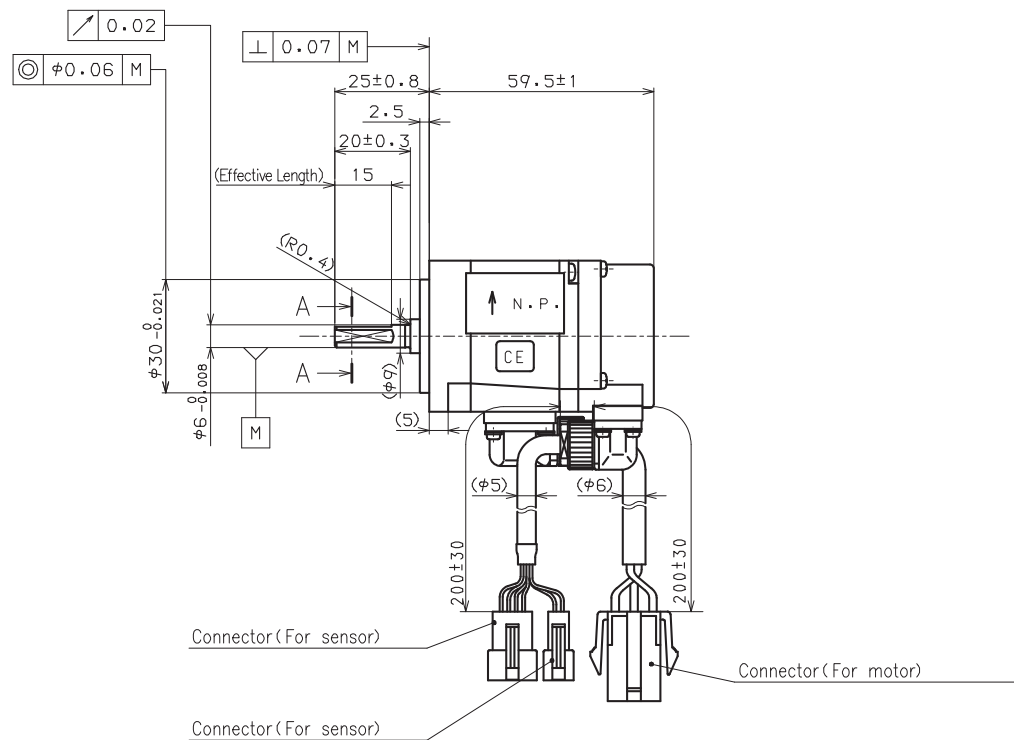
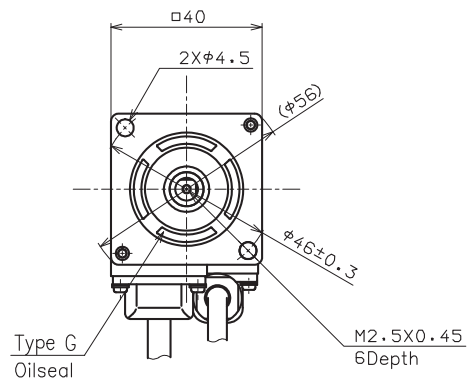


Model	R2AA04003FXPWM*
Part No.	410627-137*



A - A (2 : 1)

