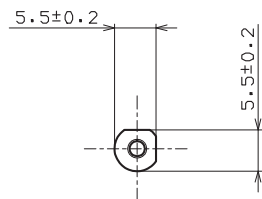
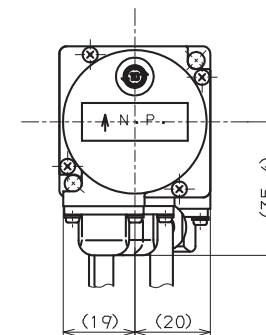
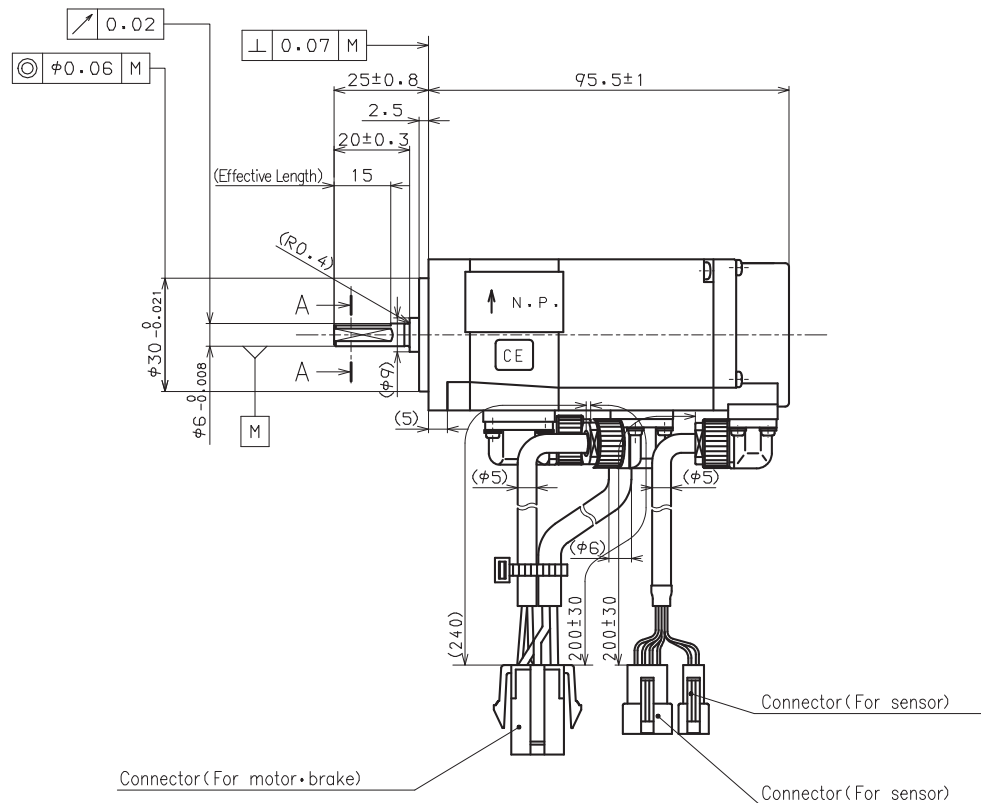
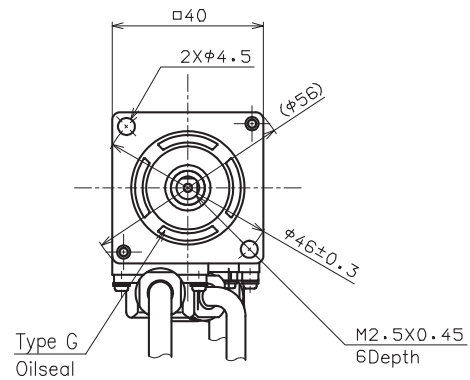


Model	R2AA04003FCPWM*
Part No.	410627-138*



A - A (2 : 1)

