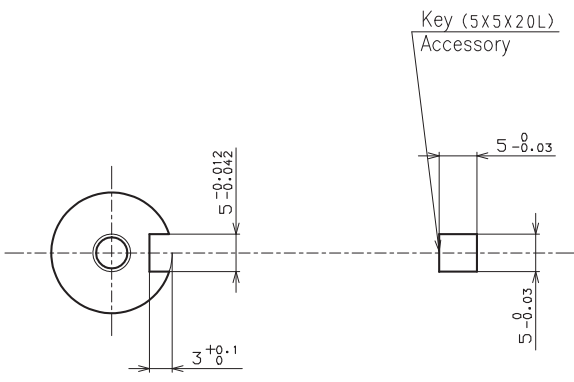
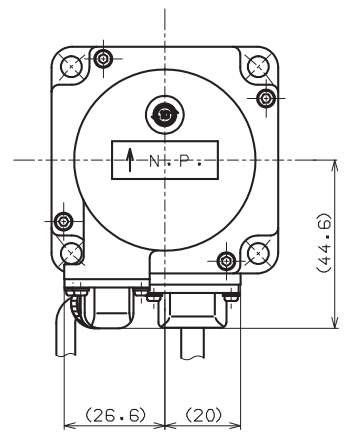
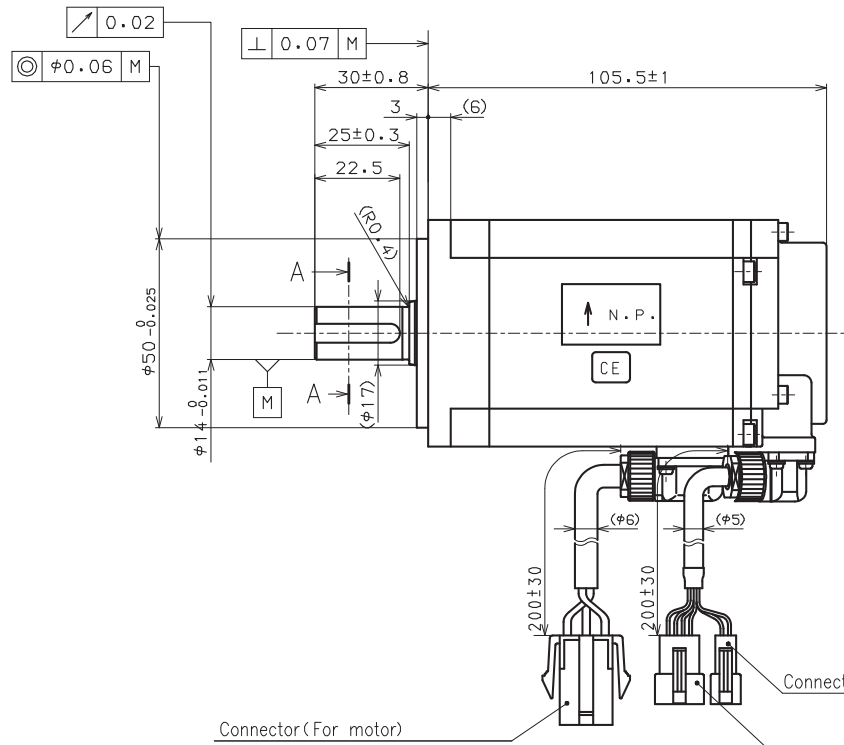
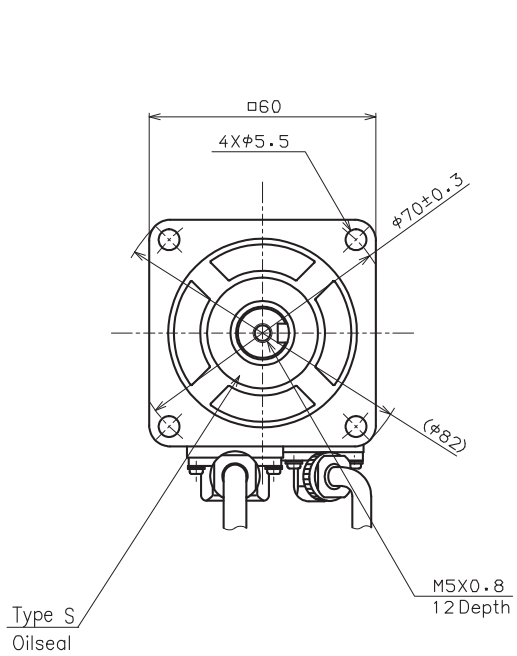


Model	R2AA06040FXPWK*
Part No.	410627-147*



A - A (2 : 1)

