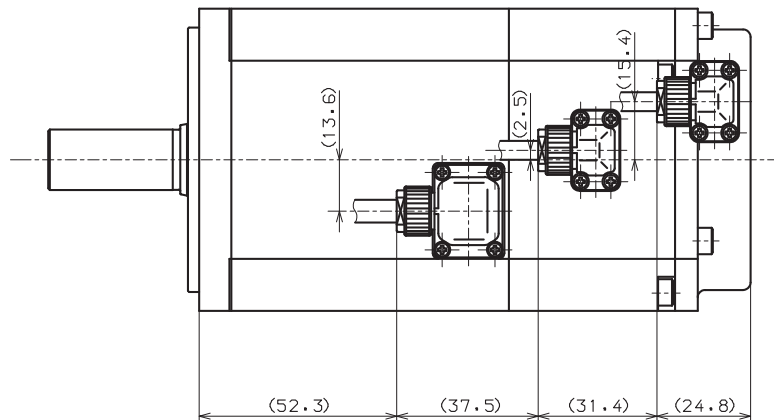
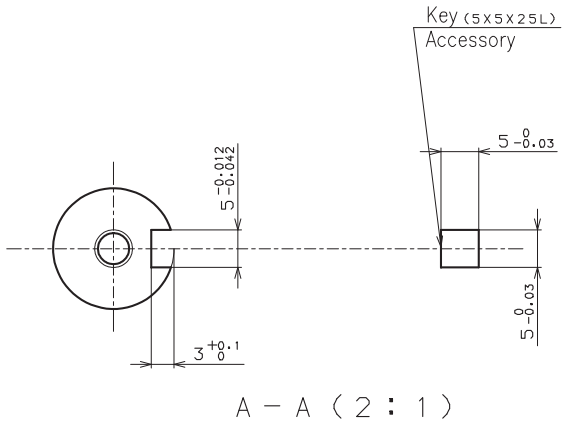
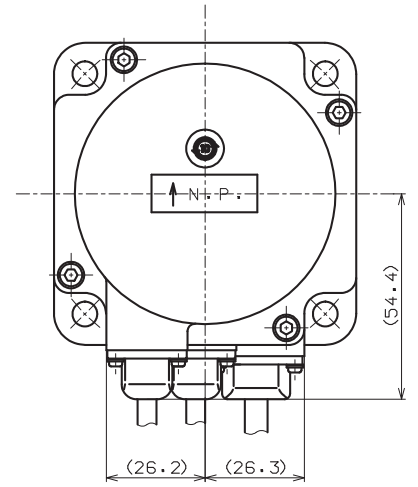
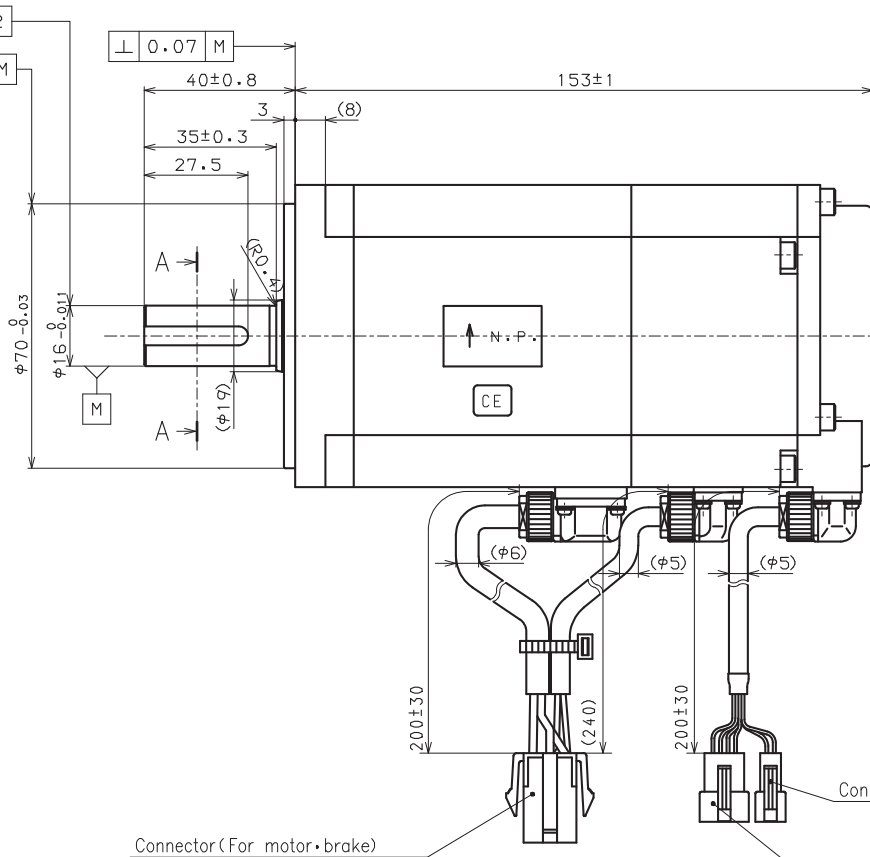
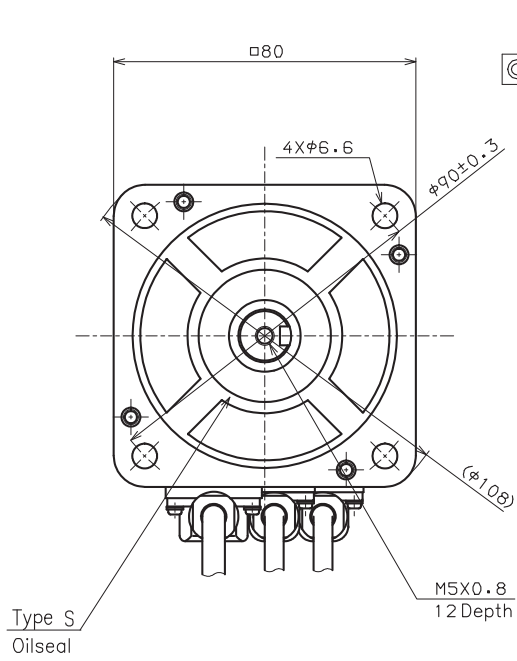


型式	R2AA08075FCPWK*
品番	410627-152*



Connector (For motor-brake)  
 Connector (For sensor)  
 Connector (For sensor)