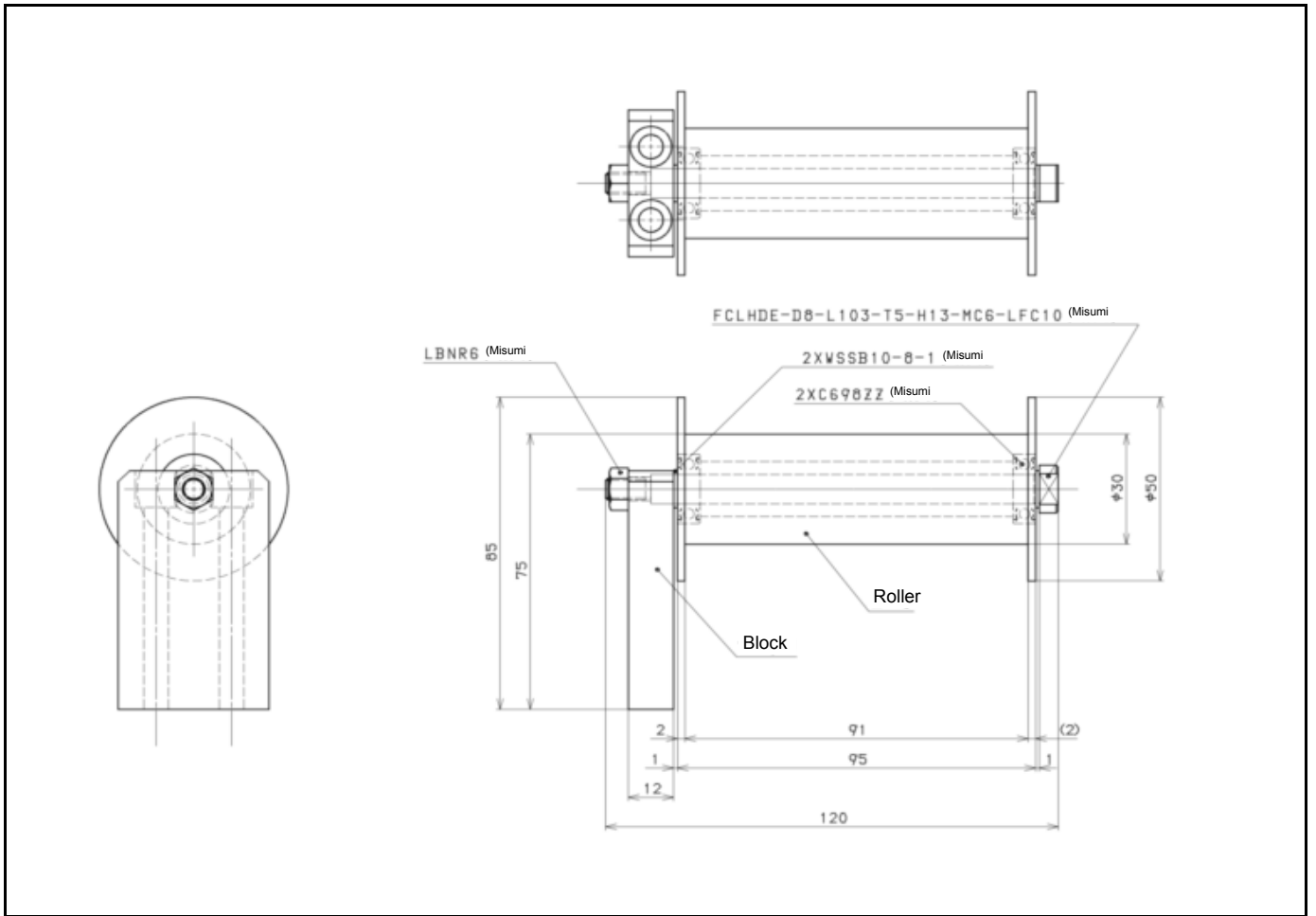


Reference Drawing of Roller Guide

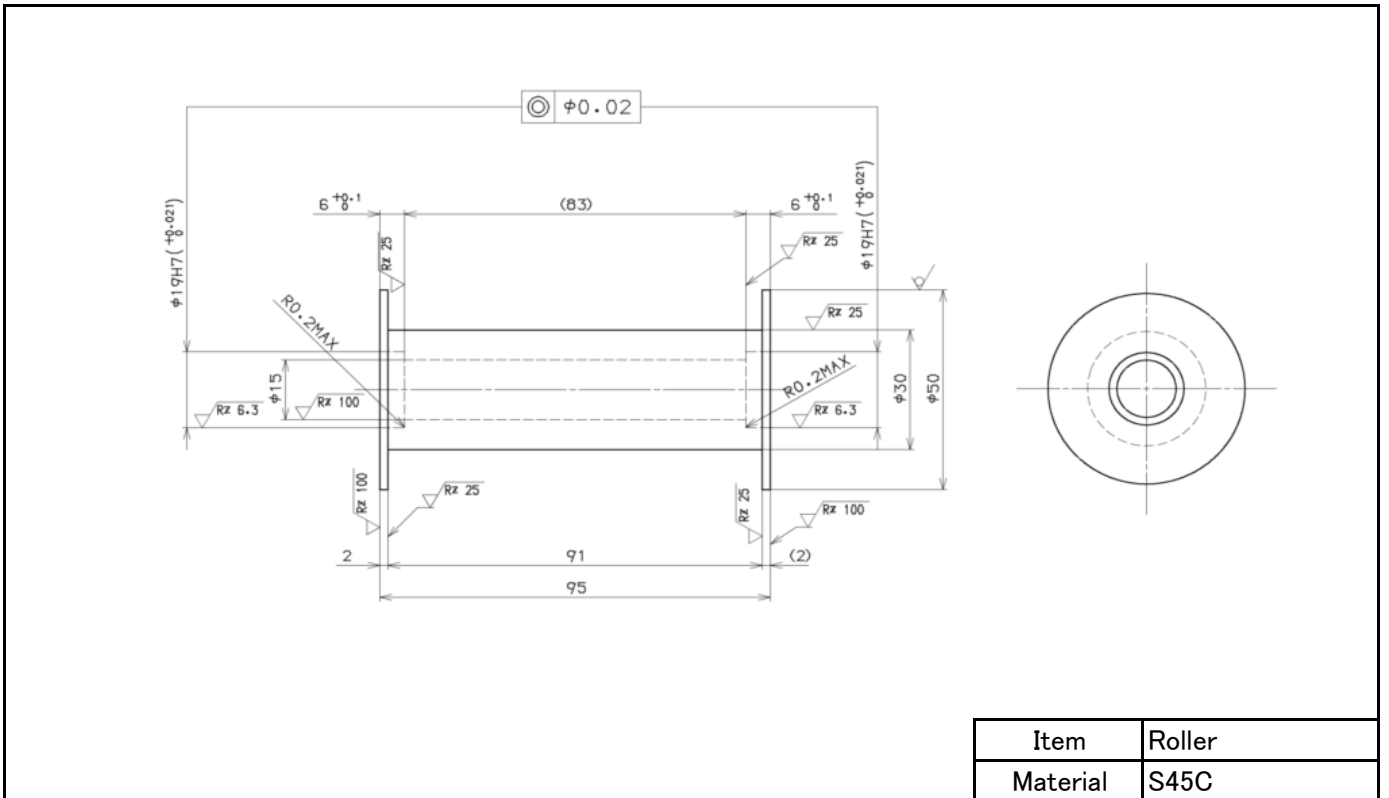


Components used in the reference drawing above are shown below.
For information about rollers and blocks, refer to the next page.

Misumi Corporation Products

Components	Type	Q'ty
Nut	LBNR6	1
Washer	WSSB10-8-1	2
Small ball bearing	C698ZZ	2
Hinge pin	FCLHDE-D8-L103-T5-H13-MC6-LFC10	1

Drawing of Roller



Drawing of Block

